



## UR15v2

### Technical specification

**UR15v2. Sharp. Compact. Outsized performance at arm's reach.**

The UR15 is the most lightweight member of the UR Series surpassing the expectations for the most sought-after size representing a sweet spot within the collaborative robot market offering speed and dependability that easily fits in a variety of environments.

Updated May 2025.  
 Copyright © 2026 by Universal Robots A/S. All rights reserved.

#### Features

IP Classification	IP65
Cleanroom classification	Class 6 at ≤ 80%
ISO 14644-1	Class 6 at ≤ 80%
<i>*Velocity and payload</i>	
Noise	< 67 dB(A)
Status identification	Light ring at robot base
Arm mounting	Any orientation
<b>I/O Ports at tool flange</b>	
Digital In	2
Digital Out	2
Analog In	2 or 1 x RS485
Power supply voltage	12/24 V
Power supply	2 A (Dual pin), 1 A (Single pin)

#### Physical

Footprint	Ø204 mm
Materials	Aluminum, plastic, steel
Tool flange	EN ISO 9409-1-50-4-M6
Connector type	M8 8-pin female
Cable length (robot arm)	6 m (236 in)
Weight without cable	40.7 kg (89.73 lbs)
Humidity	≤ 90% RH (non-condensing)

#### Contact

Universal Robots A/S  
 Energivej 51  
 5260 Odense  
 Denmark  
 +45 89 93 89 89  
[sales@universal-robots.com](mailto:sales@universal-robots.com)  
[universal-robots.com](http://universal-robots.com)

### 3-Position Enabling Teach Pendant

#### Features

IP classification	IP54
Humidity	≤ 90% RH (non-condensing)
Display resolution	1280 x 800 pixels

#### Physical

Materials	Plastic
Teach pendant size (W x H x D)	300 mm x 231 mm x 50 mm (11.8 in x 9.1 in x 1.97 in)
Weight	1.8 kg (3.968 lbs) including 1 m of teach pendant cable
Cable length	4.5 m (177.17 in)

### Control Box

#### Features

IP classification	IP44
Humidity	≤ 90% RH (non-condensing)
<b>I/O Ports</b>	
Digital In	16
Digital Out	16
Analog In	2
Analog Out	2
Quadrature digital inputs	4
I/O Power Supply	24V, 2A

#### Industrial protocols

Modbus TCP (Client/Server)  
 Ethernet/IP Adapter  
 PROFINET device, PROFINET safe  
 ROS/ROS2

#### Hardware interfaces

Ethernet 1 Gb/s  
 USB 2.0 USB 3.0  
 Mini DisplayPort  
 Injection Moulding Machine Interface (SPI AN-146 & Euromap-67)\*

#### Power Source

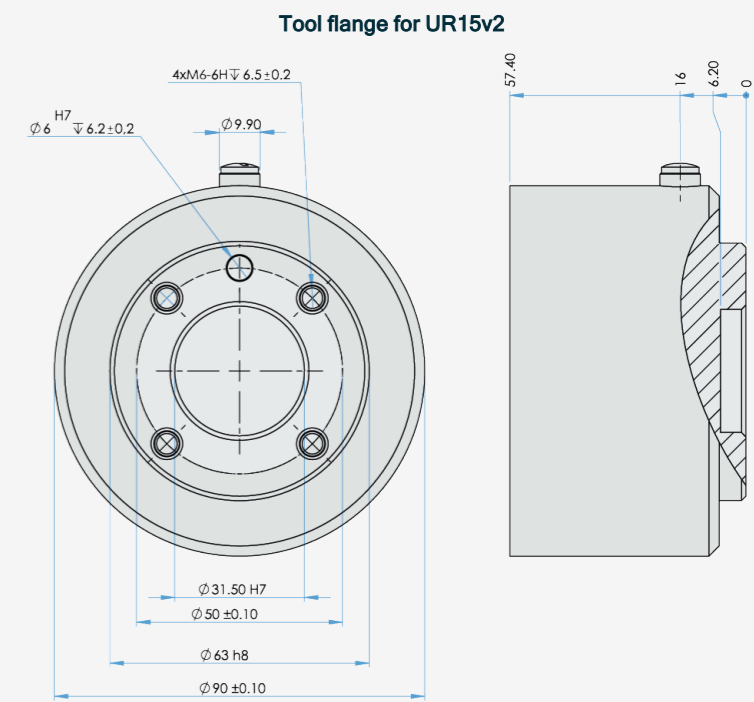
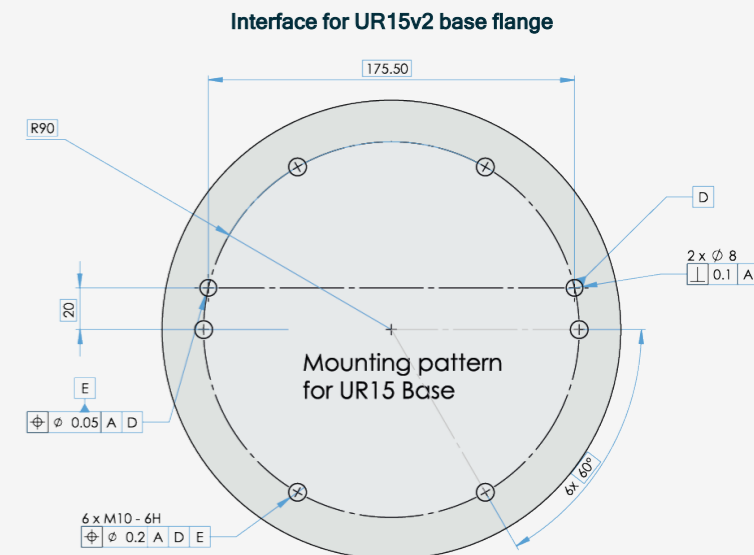
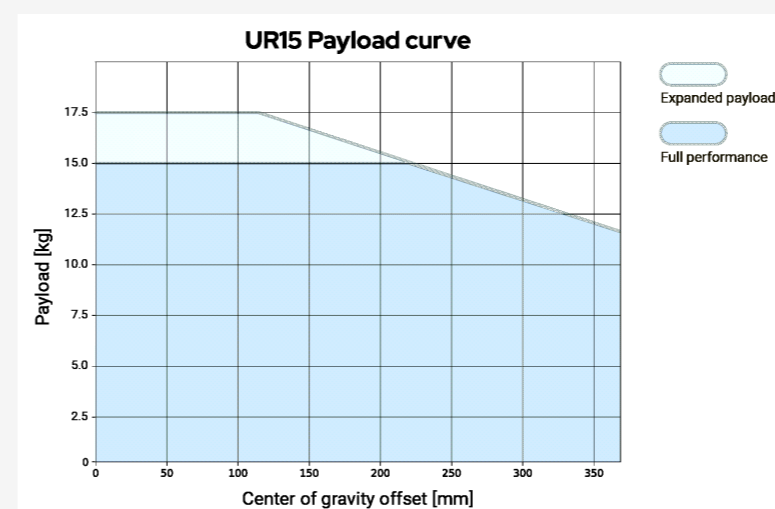
100-240VAC, 47-440 Hz

*\*Only valid for OEM version.*

#### Physical

Control Box Size (W x H x D)	460 mm x 449 mm x 254 mm (18.2 in x 17.6 in x 10 in)
Weight	12 kg (26.5 lbs)
Materials	Powder coated steel

*The control box is also available in an OEM version.*



#### Dimensions and reach of UR15v2

