



UR10e

Technical specification

Our most versatile robot, the UR10e delivers an impressive payload of 12.5 kg and 1300 mm reach, making it ideal for a wide range of applications.

Today, more than 100,000 UR collaborative industrial robots have been delivered to customers across industries and around the world. The e-Series of cobots brings incredible flexibility and unparalleled ease of use to your application.

Updated May 2025.
 Copyright © 2026 by Universal Robots A/S. All rights reserved.

Features

IP Classification	IP54
Noise	< 65 dB(A)
Arm mounting	Any orientation
I/O Ports at tool flange	
Digital In	2
Digital Out	2
Analog In	2 or 1 x RS485
Power supply voltage	12/24 V
Power supply	2 A (Dual pin), 1 A (Single pin)

Physical

Footprint	Ø190 mm
Materials	Aluminum, plastic, steel
Tool flange	EN ISO-9409-1-50-4-M6
Connector type	M8 8-pin female
Cable length (robot arm)	6 m (236 in)
Weight including cable	33.3 kg (73.5 lbs)
Humidity	≤ 90% RH (non-condensing)

Contact

Universal Robots A/S
 Energivej 51
 5260 Odense
 Denmark

+45 89 93 89 89
sales@universal-robots.com
universal-robots.com

Teach Pendant

Features

IP classification	IP54
Humidity	≤ 90% RH (non-condensing)
Display resolution	1280 x 800 pixels

Physical

Materials	Plastic
Teach pendant size (W x H x D)	300 mm x 231 mm x 50 mm (11.8 in x 9.1 in x 1.97 in)
Weight	1.6 kg (3.5 lbs) including 1 m of teach pendant cable
Cable length	4.5 m (177.17 in)

Control Box

Features

IP classification	IP44
Humidity	≤ 90% RH (non-condensing)
I/O Ports	
Digital In	16
Digital Out	16
Analog In	2
Analog Out	2
Quadrature digital inputs	4
I/O Power Supply	24V, 2A

Industrial protocols	Modbus TCP (Client/Server) Ethernet/IP Adapter PROFINET device, PROFIsafe ROS/ROS2
----------------------	---

Hardware interfaces	Ethernet 1 Gb/s USB 2.0 USB 3.0 Mini DisplayPort Injection Moulding Machine Interface (SPI AN-146 & Euromap-67)*
---------------------	---

Power Source	100-240 VAC, 47-440 Hz
--------------	------------------------

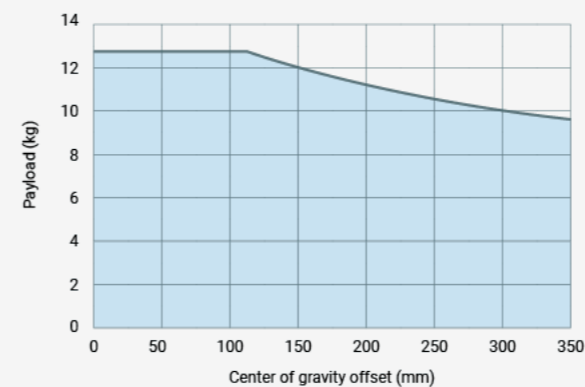
*Only valid for OEM version.

Physical

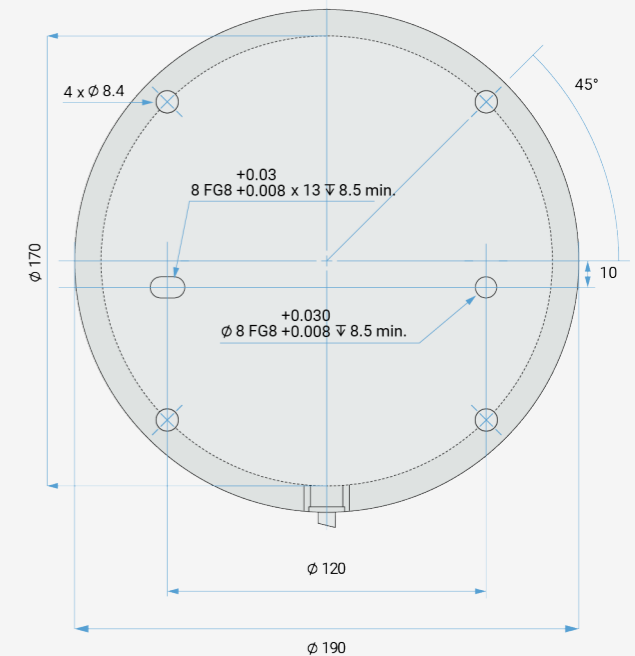
Control Box Size (W x H x D)	460 mm x 449 mm x 254 mm (18.2 in x 17.6 in x 10 in)
Weight	12 kg (26.5 lbs)
Materials	Powder coated steel

The control box is also available in an OEM version.

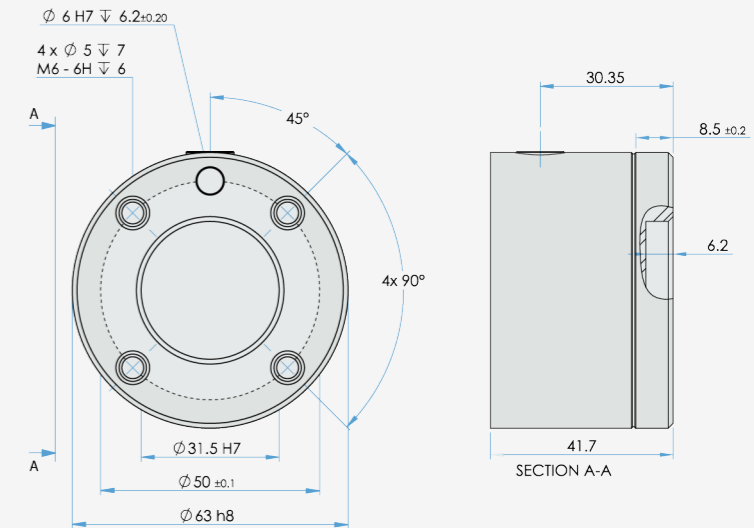
UR12e payload curve



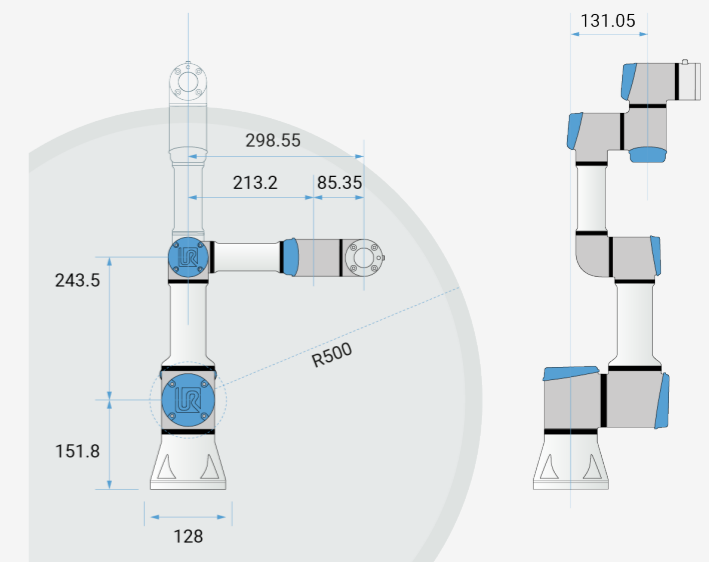
Interface for UR10e base flange



Tool flange for UR10e



Dimensions and reach of UR10e



UR10e

General specification

Payload	12.5 kg (27.6 lbs)
Reach	1300 mm (51.2 in)
Degrees of freedom	6 rotating joints
Programming	12 inch touchscreen with PolyScope graphical user interface
Power consumption	
Maximum power	615 W
Operating temperature range	Ambient temperature: 0-50°C (32-122°F)
Safety functions	21 configurable safety functions
In compliance with	EN ISO 13849-1 (PLd Category 3), EN ISO 10218-1

UR10e Robot Arm

Performance

Force sensing, tool flange/torque sensor	Force, x-y-z	Torque, x-y-z
Range	± 100.0 N	± 10.0 Nm
Precision	± 5.0 N	± 0.2 Nm
Accuracy	± 5.5 N	± 0.5 Nm

Movement

Maximum TCP speed	4 m/s
Pose repeatability per ISO 9283	± 0.05 mm
Axis movement	
Base	± 360°
Shoulder	± 360°
Elbow	± 360°
Wrist 1	± 360°
Wrist 2	± 360°
Wrist 3	± 360°